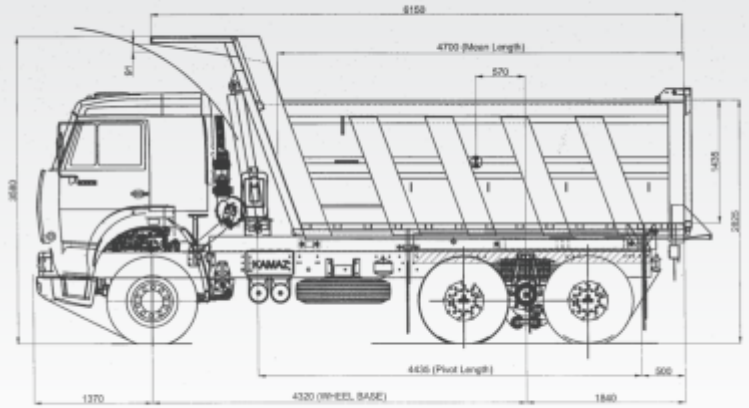




KAMAZ
MOTORS



TECHNICAL SPECIFICATION - KAMAZ 2523 (6X4 TIPPER)

WEIGHT

GVW (TONNE) 25

ENGINE

MAKE/MODEL Cummins B5.9 215 31 TC AC
TYPE Inline 6 cylinder BSIII
DISPLACEMENT 5.9 L
MAX POWER 215 HP@ 2500 RPM
MAX TORQUE 800 NM @ 1500 RPM

FUEL TANK

CAPACITY 300 L

CLUTCH

TYPE Axial spring push type ceramic
DIAMETER 380 MM

GEAR BOX

TYPE ZF 9 Speed 1110 TD

AXLES

FRONT Forged I-beam reverse elliot
REAR Fully floating tandem
REAR AXLE RATIO 6.17

SUSPENSION

FRONT Semi elliptical leaf springs with anti-roll bar
REAR Heavy duty bogie suspension with stabilizers

STEERING SYSTEM

TYPE ZF 8046 Adjustable power assisted
DIAMETER 510 MM
RATIO 26.2

BRAKES

TYPE ABS, dual brake S cam
ENGINE BRAKE Butterfly type

WHEELS AND TYRES

NUMBER OF WHEELS 10+1 Spare wheel
SIZE 11X20 16 PR

CABIN

TYPE Single sleeper
AIR CONDITION Optional

ELECTRICAL SYSTEM

VOLTAGE 24V-150 Ah

DUMP BODY

TYPE 16,18 CU.M

PERFORMANCE

MAX SPEED 80 KMPH
MAX GRADEABILITY 48% - Crawler

DIMENSIONS (MM)

WHEELBASE 4320
OVERALL LENGTH 7530
OVERALL WIDTH 2588
OVERALL HEIGHT 3580
FRONT OVERHANG 1370
REAR OVERHANG 730
FRONT TRACK 2020
REAR TRACK 1856
MIN. GROUND CLEARANCE FR - 270
RR - 285

Note: Specifications and other parameters are subject to change.